

ASSA ABLOY is the global leader in door opening solutions, dedicated to satisfying end-user needs for security, safety and convenience



## Please Note:

This document is provided as a dimensional reference and should not be printed as a drilling template unless it can be correctly scaled to 100% by your printer.

ASSA ABLOY Australia Pty Limited  
235 Huntingdale Road,  
Oakleigh Victoria, 3166  
Australia

[info.au@assaabloy.com](mailto:info.au@assaabloy.com)  
[assaabloy.com.au](http://assaabloy.com.au)

ASSA ABLOY New Zealand Ltd.  
6 Armstrong Road  
Albany, North Shore City, 0632  
New Zealand

[info.nz@assaabloy.com](mailto:info.nz@assaabloy.com)  
[assaabloy.co.nz](http://assaabloy.co.nz)



# PATIO DOOR SECURITY BOLT

ASSA ABLOY



## FOR MOUNTING TO HINGED DOORS

FOLLOW INSTRUCTIONS CAREFULLY

### LOCK OPERATION

**TO LOCK:** Engage bolt and rotate key one full turn anti-clockwise.  
**TO UNLOCK:** Rotate key one full turn clockwise and disengage bolt.

#### TOOLS REQUIRED

- Ø3.0 & Ø12.0mm drill bits
- Drill
- Phillips head screwdriver
- Centre punch / nail
- Chisel
- Pencil & ruler
- Measuring tape

### 1 Securing Patio Bolt Body

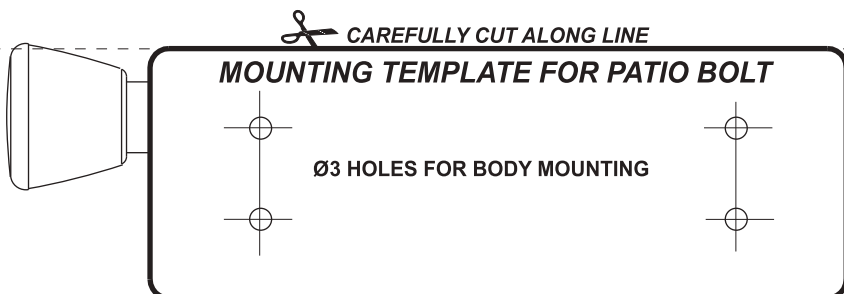
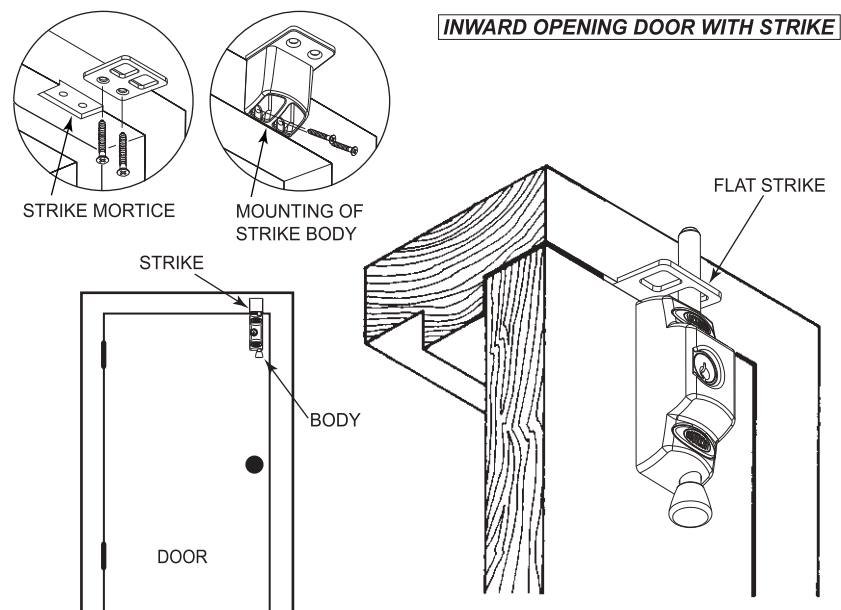
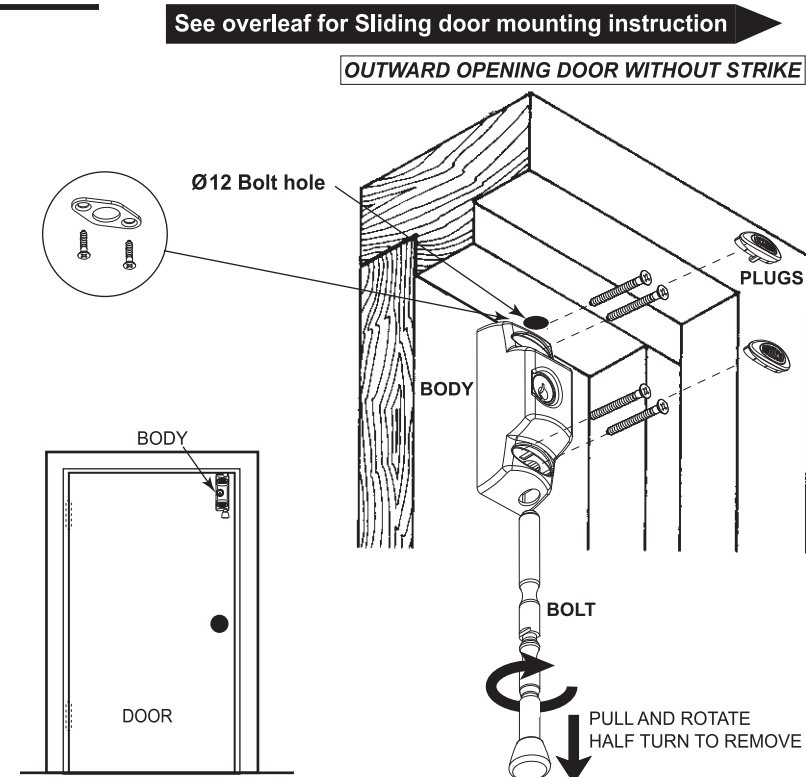
- Position the template on the door in the required position. Mark and drill 4 x Ø3.0mm holes.
- With bolt unlocked remove Bolt by pulling down and rotating half a turn. Remove the Plugs by pushing a nail through screw fixing hole from underside of body. Position body on the door and secure with the four 32mm screws provided. (If required the body can be rotated 180° to change the orientation of the bolt to allow for easier access.)
- Replace bolt and plugs into correct position.

**Note:** 6mm Body packer (Part No: 680-N316) and extended length bolt (Part No:680-N210BLK) available on request.

### 2 Securing Patio Bolt Strike

#### Inward opening timber door: Strike body or Flat strike.

- Position the Strike or the Flat Strike on the frame head directly above the Patio Bolt body. Clear architrave away if necessary. Mark outline of strike flange onto underside of frame head and mortise area to accept flange.
  - Mark and drill 2 x Ø3.0mm holes for screws.
  - Secure strike to the top of the door frame using 2 x 25mm long screws.
  - Check correct operation of lock.
- Outward opening timber or aluminium door:**
- With the door closed gently tap the bolt against the underside of the frame head. Open door and drill Ø12mm hole.
  - For extra security and better finish fix ferrule into position with 10mm screws.
  - Check correct operation of lock.



**ASSA ABLOY**  
 ASSA ABLOY Australia Pty Limited  
 235 Huntingdale Road, Oakleigh VIC 3166  
 ABN 90 086 451 907 ©2007  
 Visit us at [www.lockweb.com.au](http://www.lockweb.com.au)  
 ©Registered Trademark of ASSA ABLOY Australia Pty Limited  
 The global leader in door opening solutions



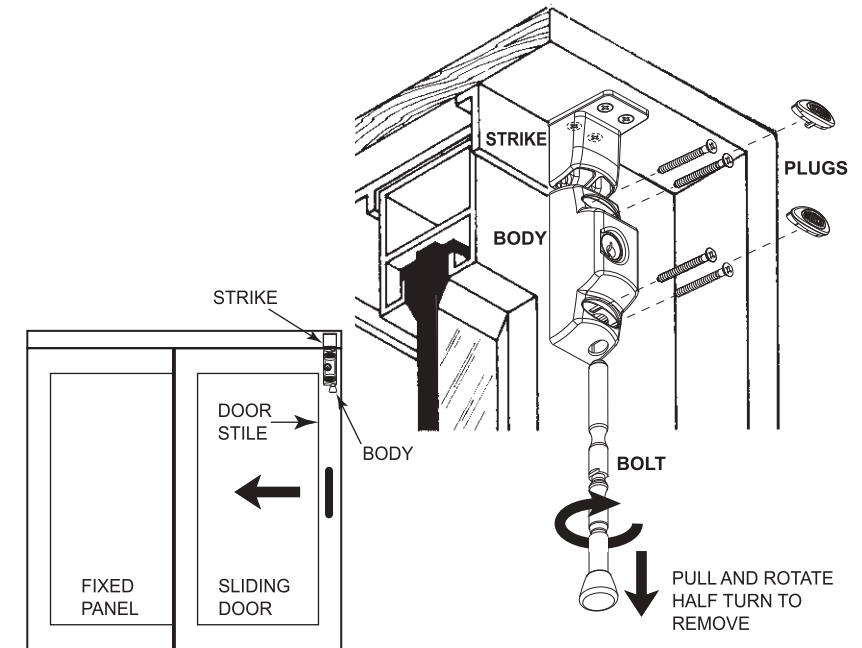
## FOR MOUNTING TO SLIDING DOORS

### LOCK OPERATION

**TO LOCK:** Engage bolt and rotate key one full turn anti-clockwise.  
**TO UNLOCK:** Rotate key one full turn clockwise and disengage bolt.

See overleaf for Hinged door mounting instruction

#### INSIDE SLIDING DOOR - FACE MOUNTING WITH STRIKE



### 1 Securing Patio Bolt Body

#### For Timber and Aluminium Doors

- Examine door stile and frame to determine the most suitable position for Patio Bolt. IMPORTANT: Check fixing screws will clear glassline.
- Position the template on the door in the required position. Mark and drill 4 x Ø3.0mm holes.
- With bolt unlocked remove Bolt by pulling down and rotating half a turn. Remove the Plugs by pushing a nail through screw fixing hole from underside of body. Position body on the door and secure with the four screws provided. (If required the body can be rotated 180° to change the orientation of the bolt to allow for easier access.)
- For Timber doors use the 32mm long screws.  
- For Aluminium door use the 25mm long screws.
- Replace bolt and plugs into correct position.

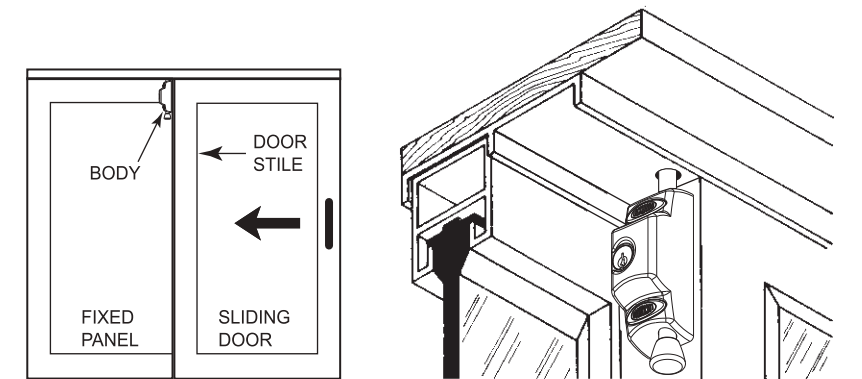
**Note:** 6mm Body packer and extended length bolt available on request.

### 2 Securing Patio Bolt Strike

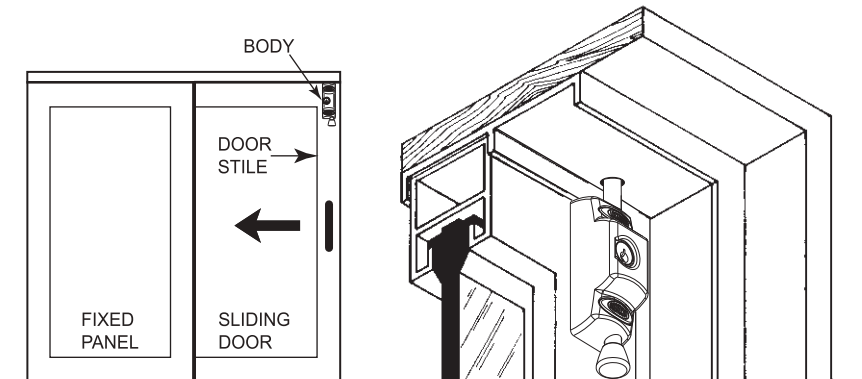
#### Strike Mounting: For face mounting with strike.

- Position the Strike on the underside of the frame head directly above the Patio Bolt body, with the strike flange against the head lining.
  - Mark and drill 4 x Ø3.0mm holes for screws.
  - Secure strike to the frame head using 4 x 25mm long screws.
  - Check correct operation of lock.
- Bolt Hole: For edge and face mounting without strike.**
- With the door closed, gently tap the bolt against the underside of the frame head. Open door and drill Ø12mm hole.
  - For extra security and better finish fix ferrule into position with 10mm screws.
  - Check correct operation of lock.

#### INSIDE SLIDING DOOR - EDGE MOUNTING



#### OUTSIDE SLIDING DOOR - FACE MOUNTING WITHOUT STRIKE



### Guarantee

ASSA ABLOY Australia Pty Limited ("ASSA ABLOY") warrants its Lockwood products against defects in workmanship and materials, subject to the limitations and exclusions set out in this Warranty. If, within the normal working life of a product, it is found to be defective, and none of the limitations and exclusions set out in this Warranty apply, ASSA ABLOY will supply the same or equivalent product free of charge. This is the only remedy granted by ASSA ABLOY under this Warranty.

#### Limitations

All electrical and electronic components used in ASSA ABLOY's Lockwood range of products (excluding batteries) are guaranteed for a period of 12 months from the date of proof of purchase, unless stated otherwise.

#### Exclusions

This Warranty does not cover:

- Damage to or malfunction or failure of the Lockwood product caused or contributed to by:**
  - (a) improper installation or failure to follow fitting instructions;
  - (b) improper maintenance;
  - (c) fair wear and tear;
  - (d) any modification or repair which has not been authorized by ASSA ABLOY;
  - (e) use of substitute or replacement parts or cylinders other than genuine ASSA ABLOY parts or cylinders; or
  - (f) use of batteries other than those specified by ASSA ABLOY.
- The cost of:**
  - (a) removal and/or replacement of the Lockwood product;
  - (b) freight and/or travelling time;
  - (c) replacement batteries; or
  - (d) any modification or repairs to a Lockwood product, unless authorised by ASSA ABLOY.

**3. Damage to or deterioration:** of the plated finishes Florentine Bronze, Architectural Bronze, Polished Brass, Gold and Satin Brass, which are classified as soft finishes, and are subject to deterioration under some environmental conditions.

**4. Personal injury, property damage or economic loss, however caused.**

This Warranty is in addition to and not in substitution for any rights of the purchaser under the Trade Practices Act and state or territory legislation.

CAREFULLY CUT ALONG LINE

